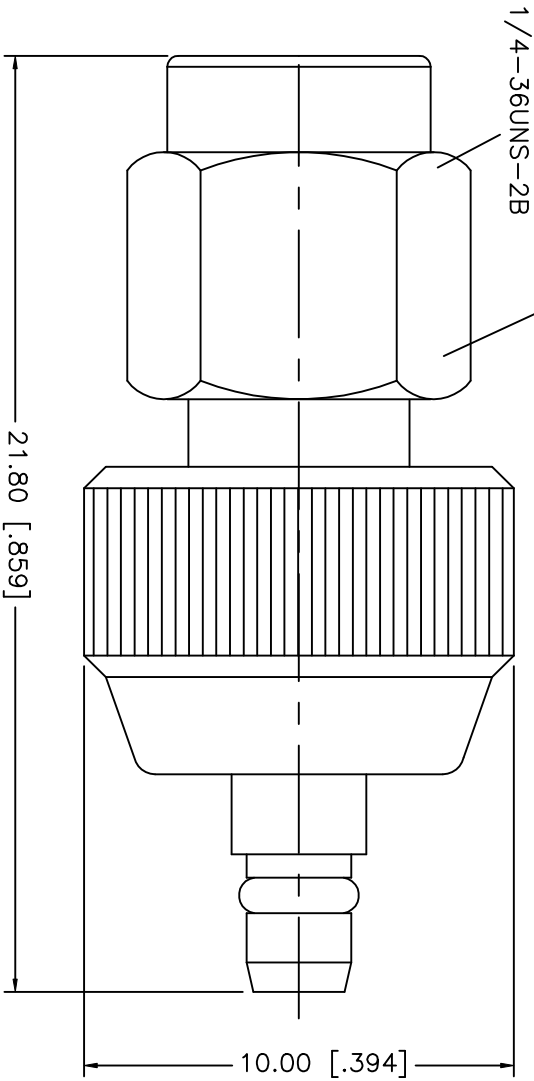


REV.	DATE	DESCRIPTION
NC	09/22/02	INITIAL RELEASE

STAKE IN 4 PLACES  
EQUALLY SPACED 90° APART  
(INTERNAL)



8																			
7																			
6	GASKET	SILICONE	RED																
5	RETAINER RING	BER. COPPER	GOLD																
4	CONTACT PIN	BRASS	GOLD																
3	INSULATOR	TEFLON	NATURAL																
2	BODY	BRASS	GOLD																
1	HOUSING	BRASS	GOLD																
	DESCRIPTION	MATERIAL	FINISH																
				UNLESS OTHERWISE SPECIFIED DIMENSIONS ARE IN MILLIMETERS				APPROVALS				DATE							
				DIMENSIONS IN [ ] ARE IN INCHES FOR CUSTOMER REFERENCE ONLY				DRAWN G.R.S.				09/22/02							
				UNLESS OTHERWISE SPECIFIED TOLERANCES FOR INCHES ARE: .XXX = ± 0.005" .XX = ± 0.010" .X = ± 0.020"				CHECKED											
				DO NOT SCALE DRAWING				ISSUED											
												TITLE							
												SMA PLUG TO MMCX PLUG ADAPTER							
												<b>Amphenol – Connex</b> CONNECTOR CORPORATION							
SIZE		FSQM NO.		DWC. NO.		REV.		SCALE		PART NO.		SHEET		OF					
A		99001		242142		NC		NA		242142		1		OF		1			